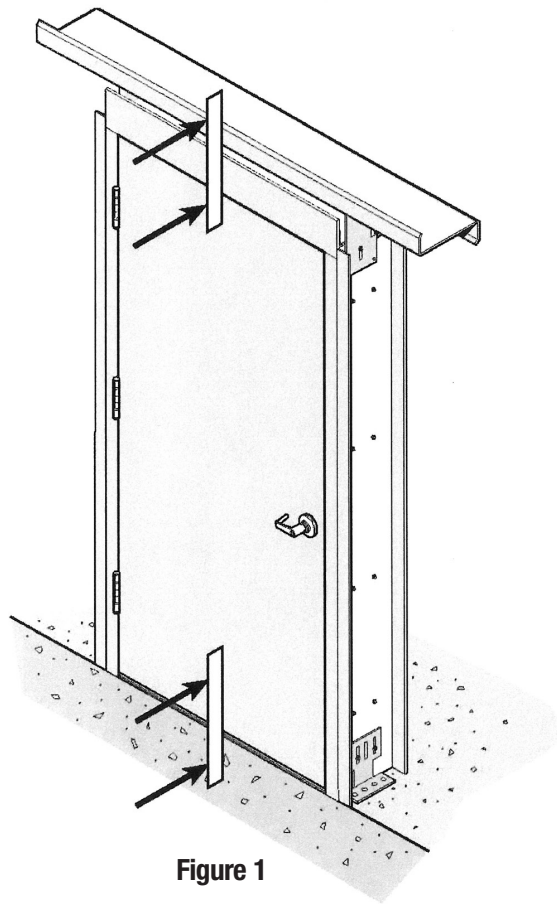
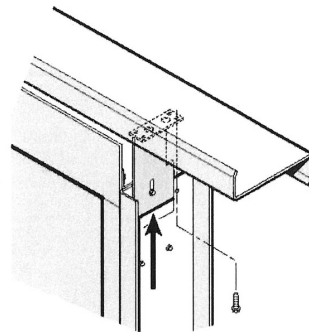


## Installation Instructions

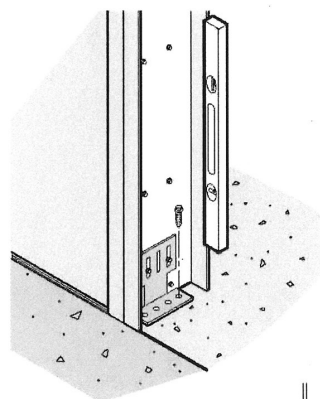
1 Of 4 Tioga Door Installation Instructions



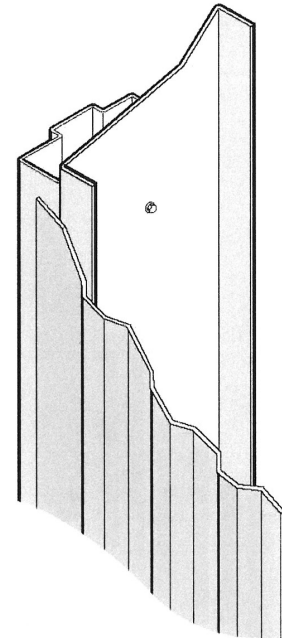
**Figure 1**



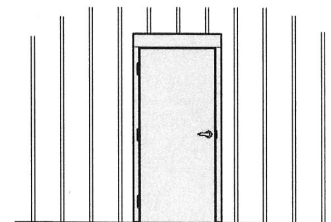
**Figure 3**



**Figure 2**



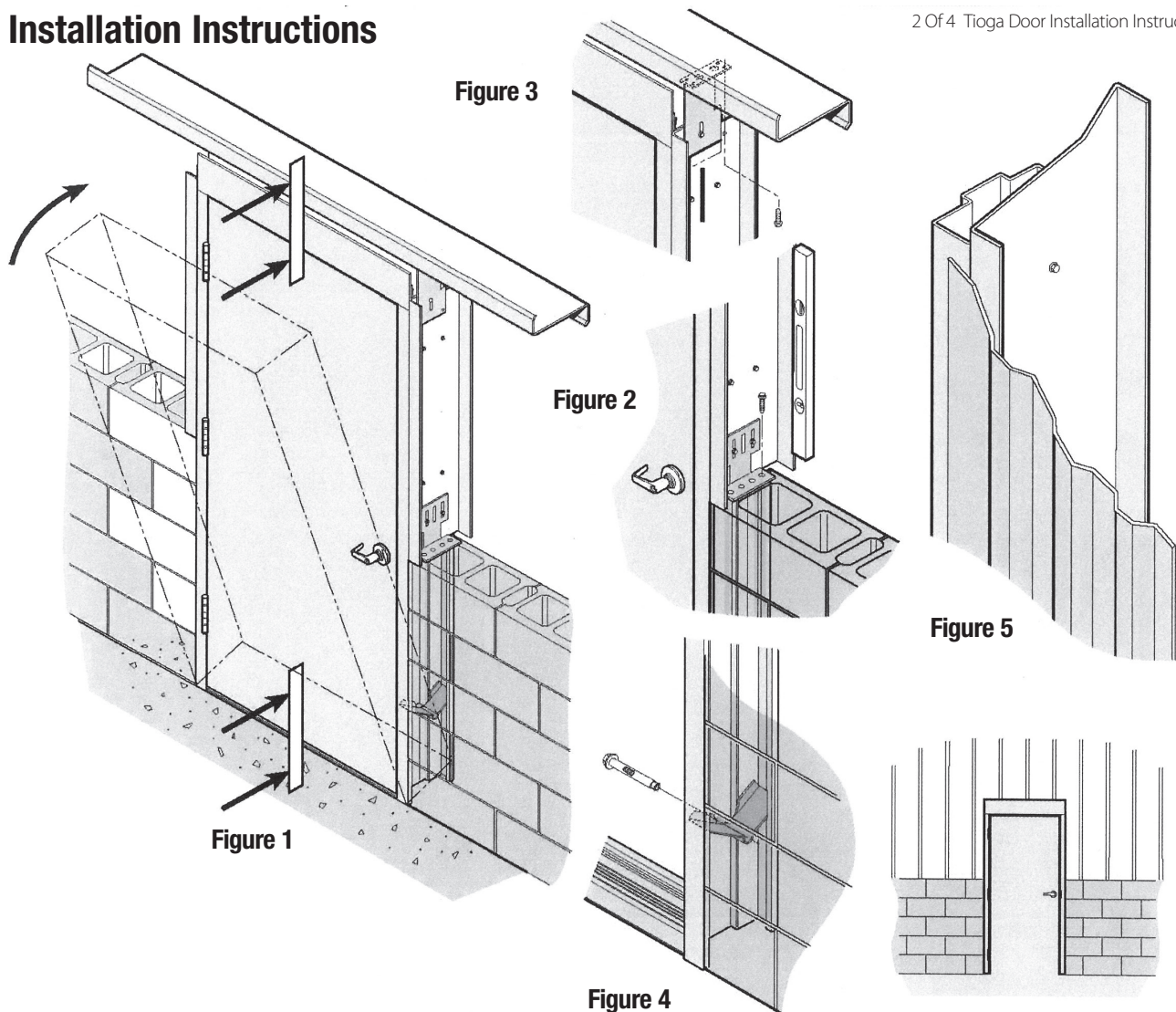
**Figure 4**



1. After uncrating, position the door under the girt where desired. The exterior of the frame and sub frame should be directly under the outside face of the girt (*Figure 1*)
2. Plumb the door unit. Be sure concrete under the threshold is level - shim a side if necessary. Do not separate threshold from the frame as it might eliminate the proper spacing between the sweep and threshold for a good seal.
3. When the door is plumb, bolt the door to the floor with the base clips and the anchor bolts provided. (*Figure 2*)
4. Back out the screws holding top jamb clips, and slide clips straight up to the girt. Secure the door to the girt through the girt clips with the self-drilling screws provided. (*Figure 3*)
5. Check gaps on top and sides of the door. Make sure the door swings properly and latches closed. (Some hinge shimming may be required).
6. Screw down threshold with the (4) Tap-Con anchors provided. Caulk or grout if needed.
7. Adjust any hardware to ensure locks are latching properly. If provided, adjust closer closing and latching speeds.
8. Complete wall panel installation. Attach drip cap at the header and J-Trim on the jambs. Cut and place wall panel so edge overlaps the frame/sub frame connection and dies inside the J-Trim. (*Figure 4*). Caulk around door.

## Installation Instructions

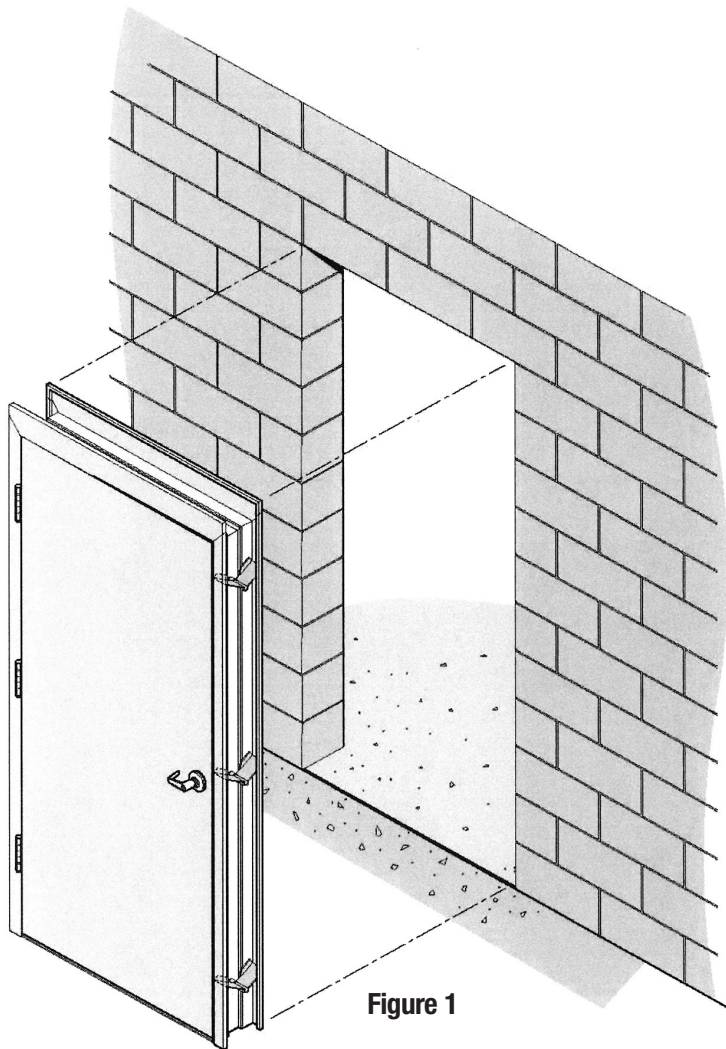
2 Of 4 Tioga Door Installation Instructions



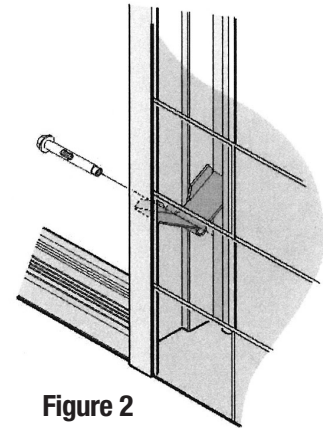
1. After uncrating, position the door under the girt where desired. The exterior of the frame and sub frame should be directly under the outside face of the girt and inside flush with the concrete wall. (Figure 1)
2. Plumb the door unit. Be sure concrete under the threshold is level-shim a side if necessary. Do not separate threshold from the frame as it might eliminate the proper spacing between the sweep and threshold for a good seal.
3. When the door is plumb, bolt the door to the top of the masonry wall with the base clips and the anchor bolts provided. (Figure 2)
4. Back out the screws holding top jamb clips, and slide clips straight up to the girt. Secure the door to the girt through the girt clips with the self-drilling screws provided. (Figure 3)
5. Drill 3/8" holes into block through the EMA/EOA anchors and install expandable concrete anchors. (Figure 4)
6. Check gaps on top and sides of the door. Make sure the door swings properly and latches closed. (Some hinge shimming may be required).
7. Screw down threshold with the (4) Tap-Con anchors provided. Caulk or grout if needed.
8. Adjust any hardware to ensure locks are latching properly. If provided, adjust closer closing and latching speeds.
9. Complete wall panel installation. Attach drip cap at the header and J-Trim on the jambs. Cut and place wall panel so edge overlaps the frame/subframe connection and dies inside the J-Trim. (Figure 5). Caulk around door.

## Installation Instructions

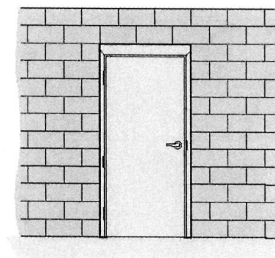
3 Of 4 Tioga Door Installation Instructions



**Figure 1**



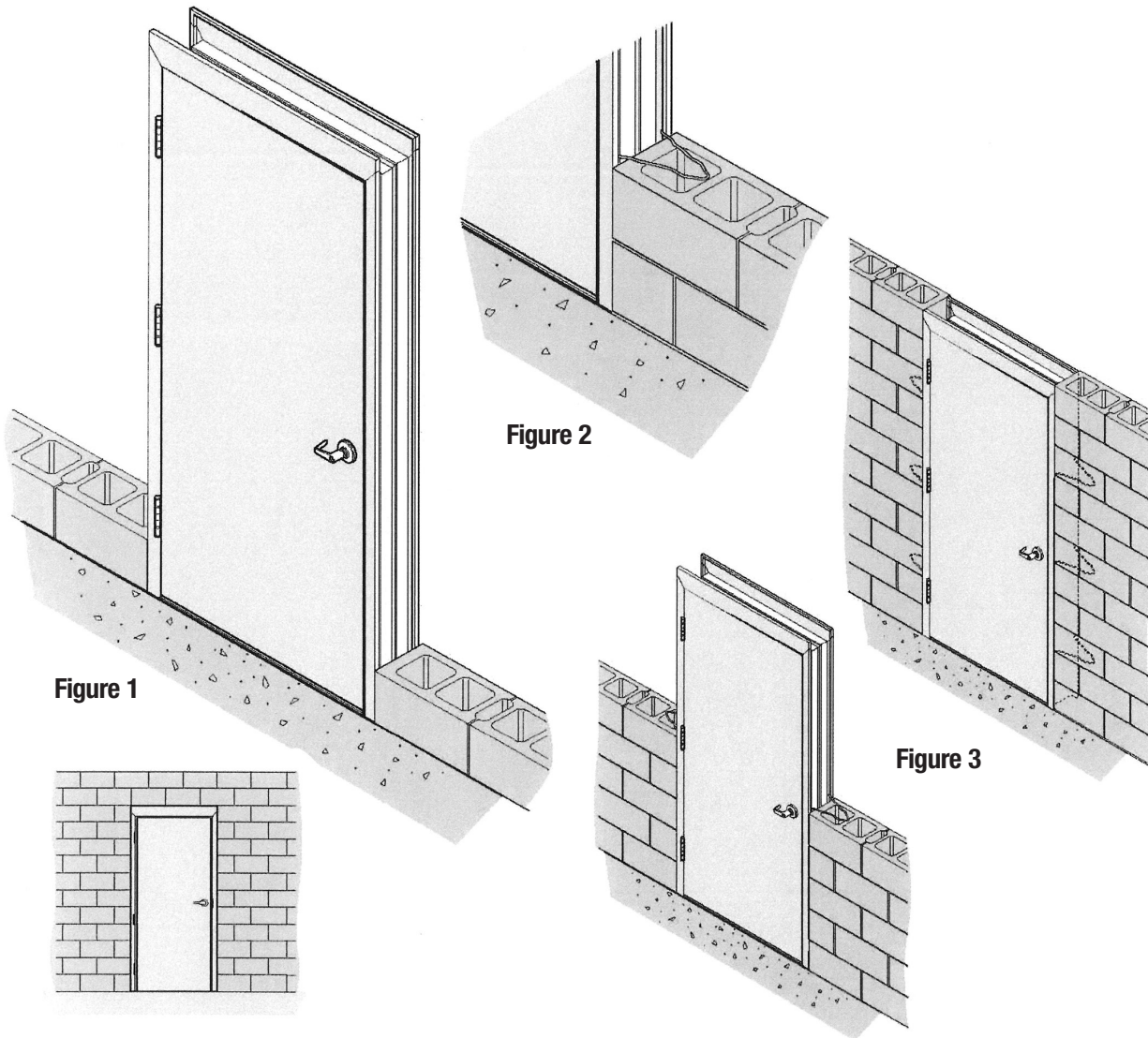
**Figure 2**



1. Uncrate the door, position door in place within the wall as desired. Exterior of door/frame should be flush with the outside edge of the wall. Temporally support may be needed to help hold door in place. *(Figure 1)*
2. Plumb and square the door unit in the opening. Be sure concrete under the threshold is level - shim a side if necessary. Do not separate the threshold from the frame as this might eliminate the proper spacing between the seal between sweep and threshold for a good seal.
3. Drill 3/8" holes into block through the EMA/EOA anchors and install expandable concrete anchors. *(Figure 2)*
4. Anchor threshold in place; shim, caulk, or grout as needed.
5. Make sure the door swings properly and latches closed. (Some hinge shimming may be required).
6. Adjust any hardware to ensure locks are latching properly. If provided, adjust closer closing and latching speeds.
7. Caulk and flash as desired around entire door masonry opening.

## Installation Instructions

4 Of 4 Tioga Door Installation Instructions



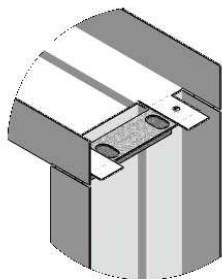
### Begin the first few rows of block to a height between 12 and 18 inches A.A.F.

1. Uncrate the door, position door in place within the wall as desired. Temporary support may be needed to help hold door in place. *(Figure 1)*
2. Plumb and square the door unit in the opening. Be sure concrete under the threshold is level - shim a side if necessary. Do not separate the threshold from the frame as this might eliminate the proper spacing between the seal between sweep and threshold for a good seal.
3. Apply first wire masonry anchors into mortar joint - (3) anchors provided per side. *(Figure 2)*
4. Continue laying block, continually checking plumb and square of door. Repeat step 1 at approximately 48 and 80 inches A.A.F. *(Figure 3)*
5. Anchor threshold in place; shim, caulk, or grout as needed.
6. Make sure the door swings properly and latches closed. (Some hinge shimming may be required).
7. Adjust any hardware to ensure locks are latching properly. If provided, adjust closer closing and latching speeds.
8. Caulk and flash as desired around entire door masonry opening.

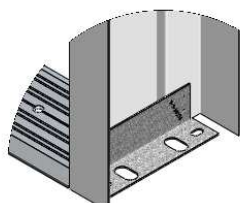


## Tioga Knockdown Door And Frame Installation

1. Determine swing then assemble frame. Fasten head jambs using bolts and locking nuts as supplied with frame (A).
2. Tilt entire assembly into opening. Secure hinge base anchor into flooring material. Plumb hinge and strike jambs and level header. Anchor header and secure strike base anchor (B).
3. Attach jamb anchor to top girt (jamb extension may be needed to accommodate higher girt height).
4. Secure entire frame to the wall panel.
5. Install threshold.
6. Install door panel into the frame with hinges provided in the frame kit. Check clearance of door panel around entire frame assembly. Reveal should be 1/8".
7. Install lock as provided. Install kerf weather strip starting with the header. Clip excess weather strip. Be sure weather strip on the jambs reaches the threshold to ensure a complete seal.
8. Install door sweep to the outside of the door panel. Cut excess aluminum from sweep as needed. Do not cut the rubber seal. Ensure sweep reaches and seals to the threshold and the rubber seal fits across the entire door and reveal. Cut excess seal as needed.
9. Install any additional hardware



**DETAIL A**



**DETAIL B**

**PROPRIETARY AND CONFIDENTIAL**

THIS INFORMATION IS THE SOLE PROPERTY OF TELL DOORS & WINDOWS, LLC. ANY REPRODUCTION IN PART OR AS A WHOLE WITHOUT THE WRITTEN PERMISSION OF TELL DOORS & WINDOWS, LLC. IS PROHIBITED.