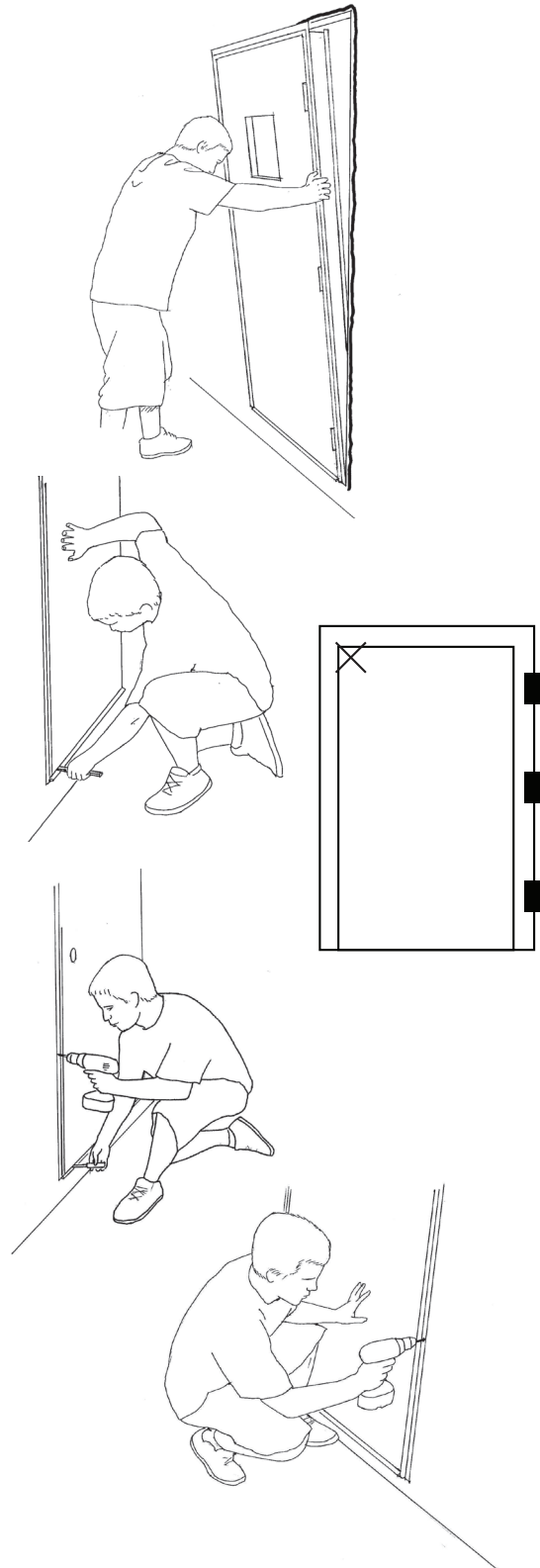


# TELSTAR DOOR

## MD Series Installation Instructions



- 1.** Prepare framed 36" x 80" rough opening. Verify that the opening is plumb and square. If a deadbolt is to be installed, cut a 1" high x 7/8" wide by 7/8" deep mortise into the rough opening at the deadbolt strike location centered 48-5/8" from the floor. Using a hole saw after door installation may damage the frame.
- 2.** Caulk the outside face of the building. Caulk bead should be within 1/2 inch of rough opening.
- 3.** Install the pre-hung door assembly in the rough opening, hinge side facing the installer.
- 4.** Insert pry bar or wood wedge between door bottom and threshold (latch edge of door). Gently lift the door until the gap between the top of door and the frame is closed. (If door is equipped with a sweep along lower edge, wedge door from rear or remove sweep to prevent damage.)
- 5.** Install four (4) screws in the flange that attaches the door frame to the building – two (2) screws evenly spaced along the latch edge and two (2) screws evenly spaced along the hinge edge.
- 6.** Remove the pry bar or wood wedge from between the bottom of the door and frame and check if door settles to give uniform gap between door and frame around all edges. If not, adjust screws to achieve even spacing between door and frame around all edges.
- 7.** Verify a uniform gap is established between door and frame around all edges.
- 8.** Install all remaining screws around door perimeter. (Re-install door sweep along the lower edge if removed in Step #4).
- 9.** Apply spray foam sealant behind the lockset and deadbolt strikes.

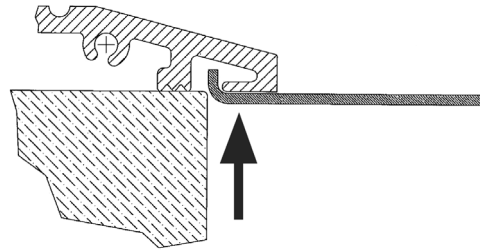


# TELSTAR DOOR

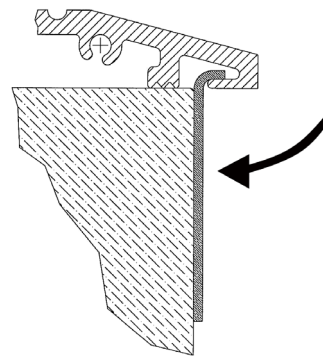
## MD Series Installation Instructions

---

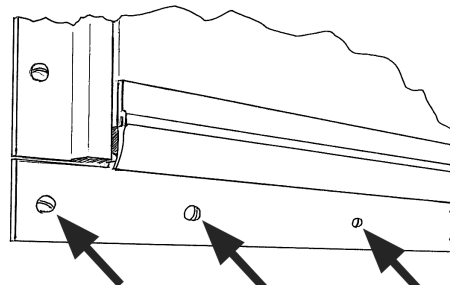
**10.** Engage the flashing strip lip upward into the threshold.



**11.** While holding the lip in place, rotate strip against wall.



**12.** Secure the threshold flashing with 1/4x1" round head sheet metal screws. Fill any gaps with sealant.



**13.** Mount lockset, deadbolt and other hardware. Use silicone sealant at hardware to door mounting surfaces for a weather tight seal.

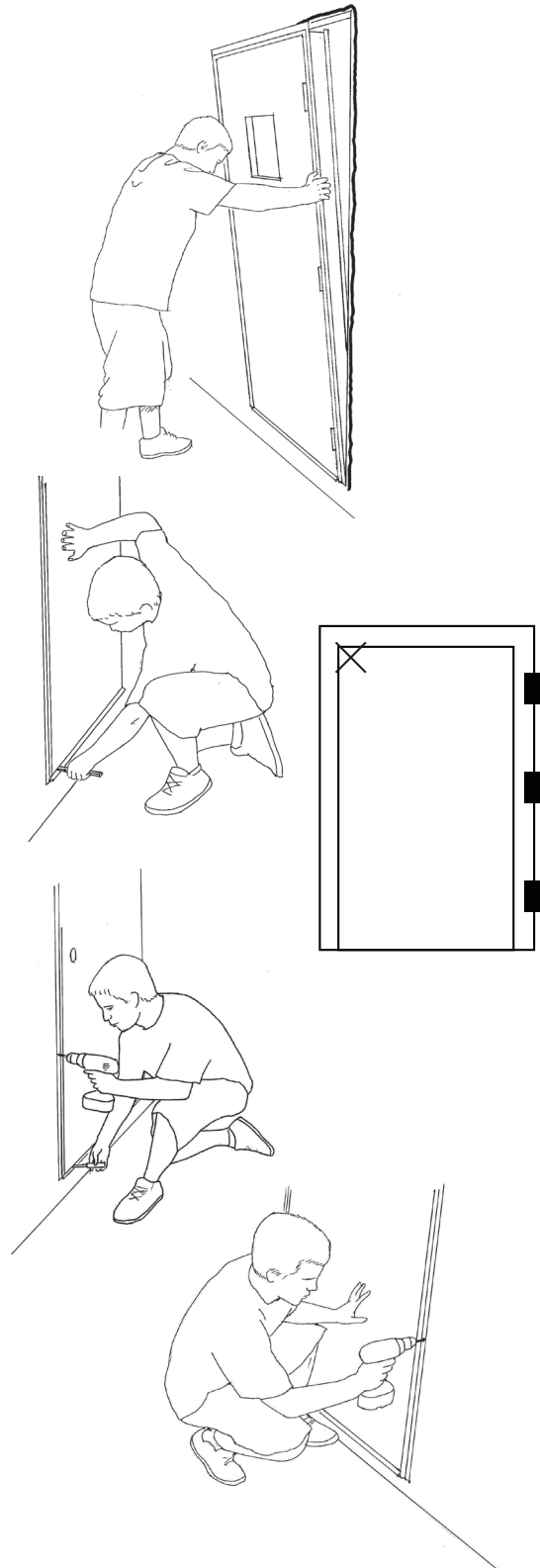
**14.** Mount outside sweep using the pre-drilled holes.

# TELSTAR PRO DOOR

## Installation Instructions



- 1.** Prepare framed 38 x 81" rough opening. Verify that the opening is plumb and square. If a deadbolt is to be installed, cut a 1" high x 7/8" wide by 7/8" deep mortise into the rough opening at the deadbolt strike location centered 46-1/4" from the floor. Using a hole saw after door installation may damage the frame.
- 2.** Caulk the outside face of the building. Caulk bead should be within 1/2 inch of rough opening.
- 3.** Install the pre-hung door assembly in the rough opening, hinge side facing the installer.
- 4.** Insert pry bar or wood wedge between door bottom and threshold (latch edge of door). Gently lift the door until the gap between the top of door and the frame is closed. (If door is equipped with a sweep along lower edge, wedge door from rear or remove sweep to prevent damage.)
- 5.** Install four (4) screws in the flange that attaches the door frame to the building – two (2) screws evenly spaced along the latch edge and two (2) screws evenly spaced along the hinge edge.
- 6.** Remove the pry bar or wood wedge from between the bottom of the door and frame and check if door settles to give uniform gap between door and frame around all edges. If not, adjust screws to achieve even spacing between door and frame around all edges.
- 7.** Verify a uniform gap is established between door and frame around all edges.
- 8.** Install all remaining screws around door perimeter. (Re-install door sweep along the lower edge if removed in Step #4).
- 9.** Apply spray foam sealant behind the lockset and deadbolt strikes.

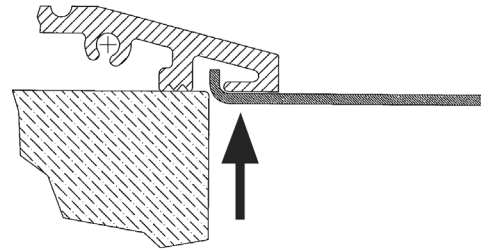


# TELSTAR PRO DOOR

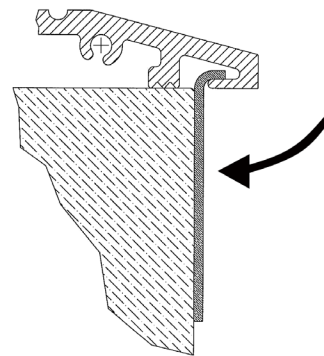
## Installation Instructions

---

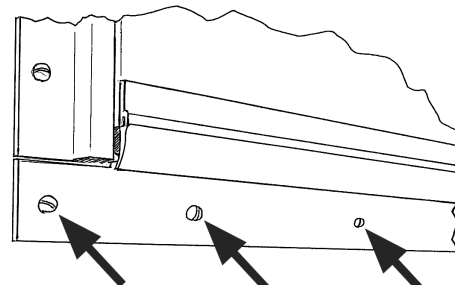
**10.** Engage the flashing strip lip upward into the threshold.



**11.** While holding the lip in place, rotate strip against wall.



**12.** Secure the threshold flashing with 1/4x1" round head sheet metal screws. Fill any gaps with sealant.



**13.** Mount lockset, deadbolt and other hardware. Use silicone sealant at hardware to door mounting surfaces for a weather tight seal.

**14.** Mount outside sweep using the pre-drilled holes.