

INSTALLATION INSTRUCTIONS FOR 9500 SERIES PANIC EXIT DEVICE

PAGE 1 OF 3

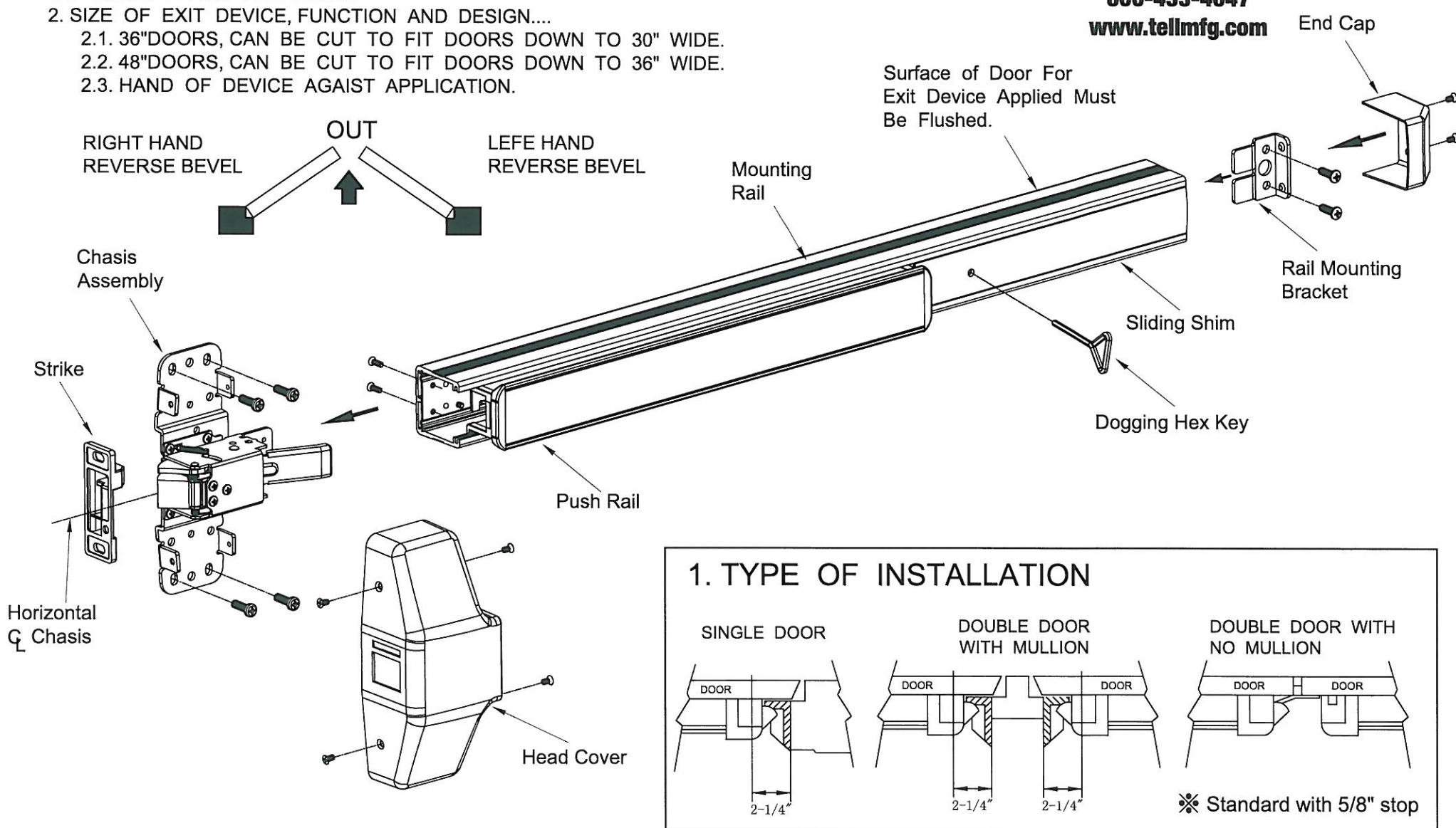


800-433-4047

www.tellmfg.com

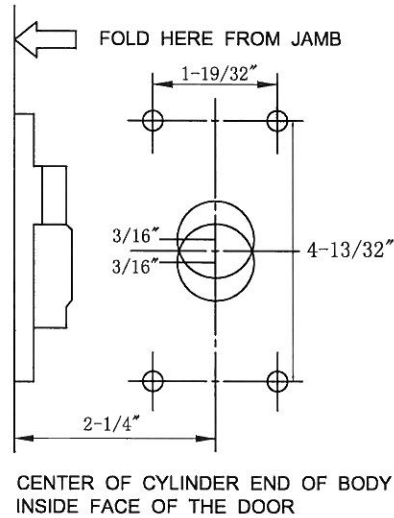
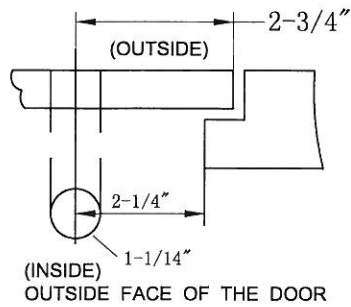
BEFORE INSTALLING DEVICE, PLEASE CHECK:

1. IF DOOR FITTED AND HUNG.
2. SIZE OF EXIT DEVICE, FUNCTION AND DESIGN....
 - 2.1. 36" DOORS, CAN BE CUT TO FIT DOORS DOWN TO 30" WIDE.
 - 2.2. 48" DOORS, CAN BE CUT TO FIT DOORS DOWN TO 36" WIDE.
 - 2.3. HAND OF DEVICE AGAINST APPLICATION.

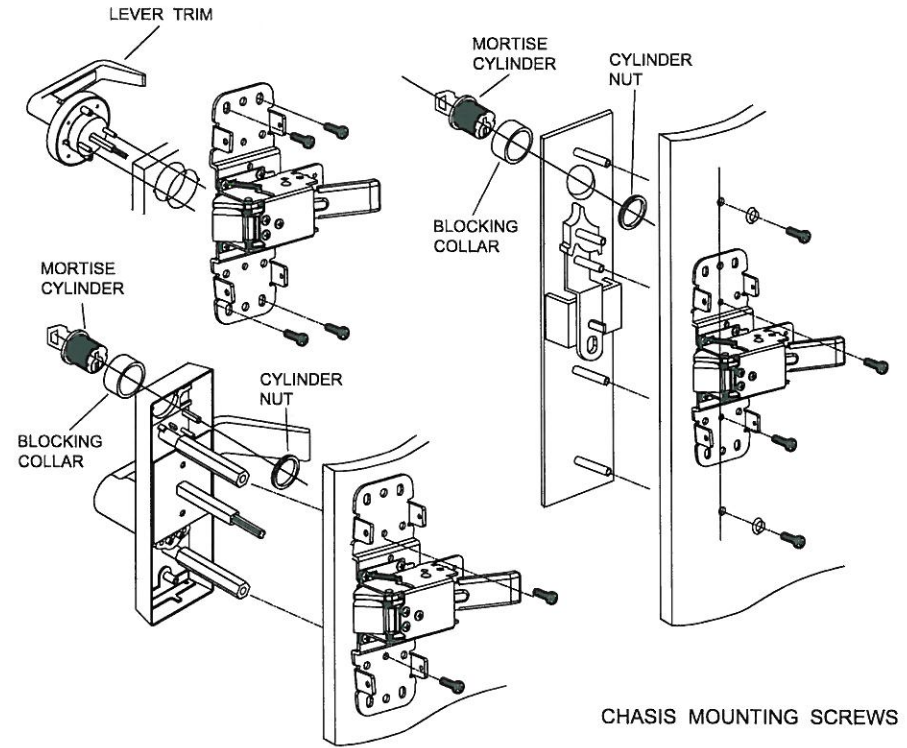


2. DRILL HOLES

1. MARK DOOR FACE AND DRILL HOLES IN ACCORDANCE WITH THE DIAMETERS SUGGESTED. SEE ATTACHED TEMPLATE

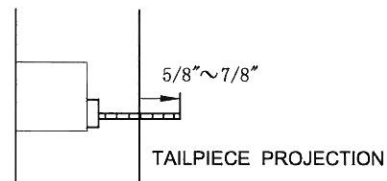
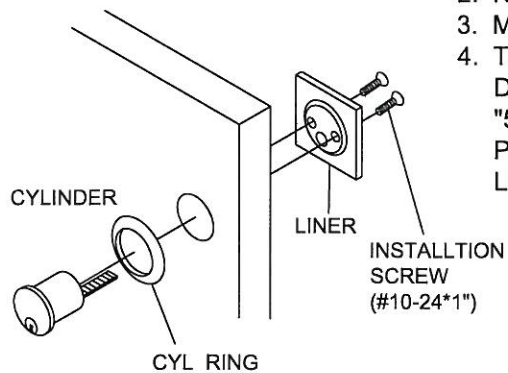


4. APPLY TRIM + CHASSIS



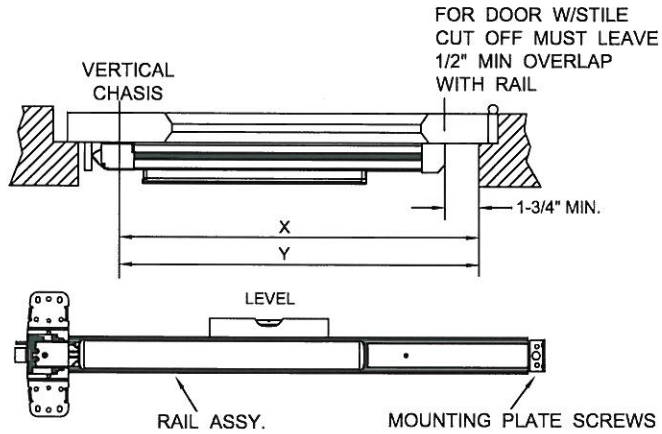
3. INSTALL CYLINDER

1. INSERT THE CYLINDER THROUGH CYL RING THE HOLE ON THE DOOR.
2. KEEP THE TAIL PIECE HORIZONTAL.
3. MOUNT LINER ON INSIDE OF DOOR AND
4. TAILPIECE PROJECTION OVER INSIDE OF DOOR IS SUGGESTED IN THE RANGE "5/8~7/8". IF NECESSARY, USE A PLIER TO BEND AND CUT TO DESIRED LENGTH.

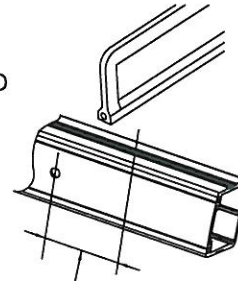


5. APPLY RAIL ASSEMBLY

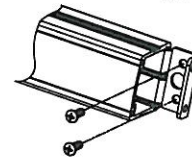
1. CHECK THE SIZE OF DEVICE, IF CUTTING TO LENGTH IS REQUIRED.
2. DETERMINE CUT OFF LENGTH "X" BY SUBTRACTING 1-3/4" FROM "Y". MARK CUT OFF POINT ON MOUNTING RAIL.
3. DEPRESS ARM INTO RAIL OPENING AND SLIDE RAIL ONTO CHASIS. LEVEL RAIL AND FASTEN CHASIS AND MOUNTING PLATE.



CUT OFF AND DEBURR



DON'T CUT CLOSER THAN
2-7/8" FROM Dogging hole

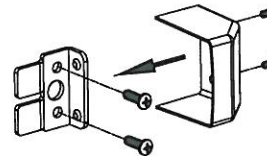


ATTACH MOUNTING PLATE TO
DOOR WITH (3) ROUND HEAD
SCREWS.

6. APPLY COVER AND STRIKES



ATTACH COVER TO CHASIS WITH
(4) #8 TRUSS HEAD MACHINE
SCREW.



ATTACH END CAP TO MOUNTING
PLATE WITH (2) COVER SCREWS.



ATTACH STRIKE TO DOOR STOP
WITH (2), STRIKE SCREW AND
LOCK WASHER