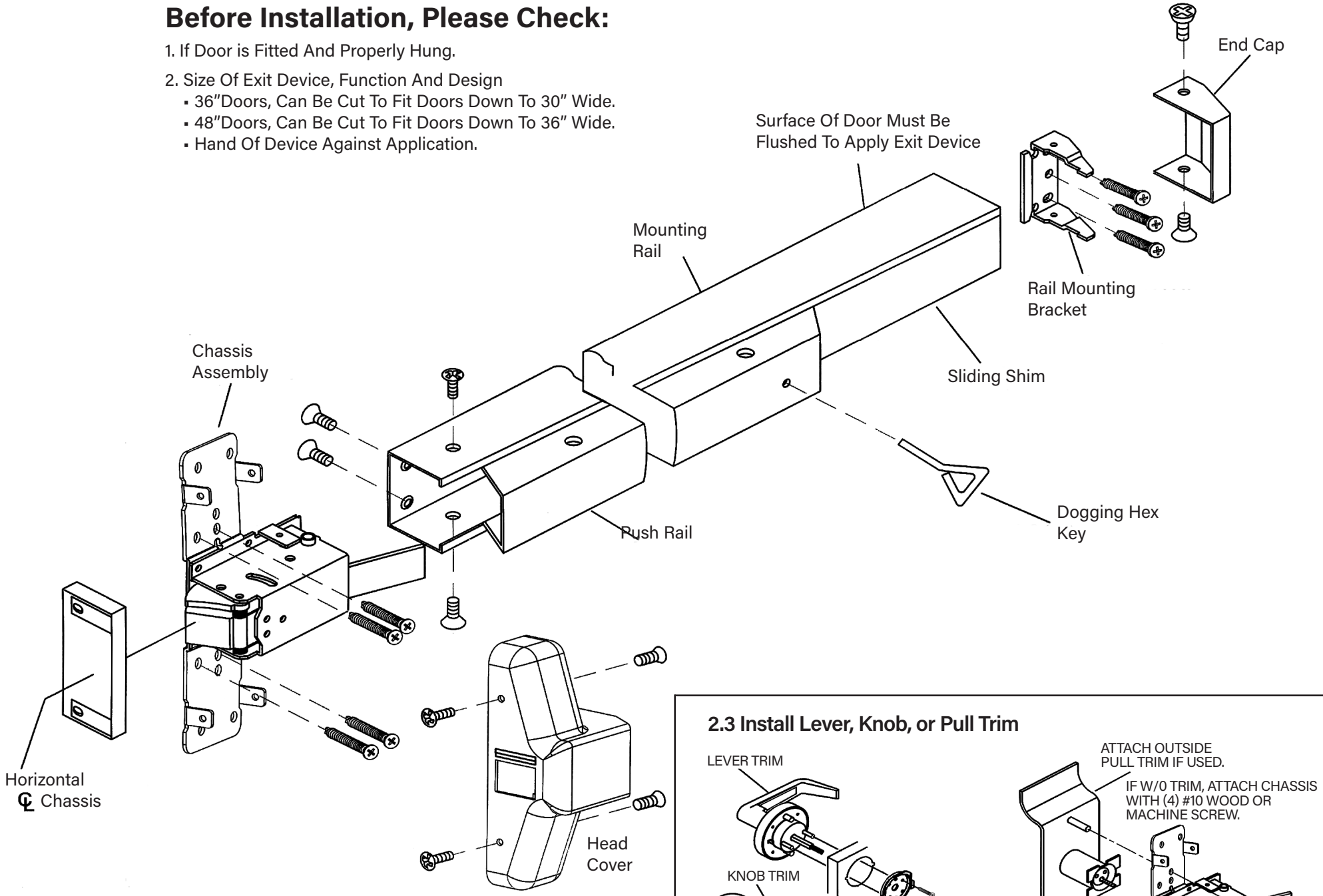


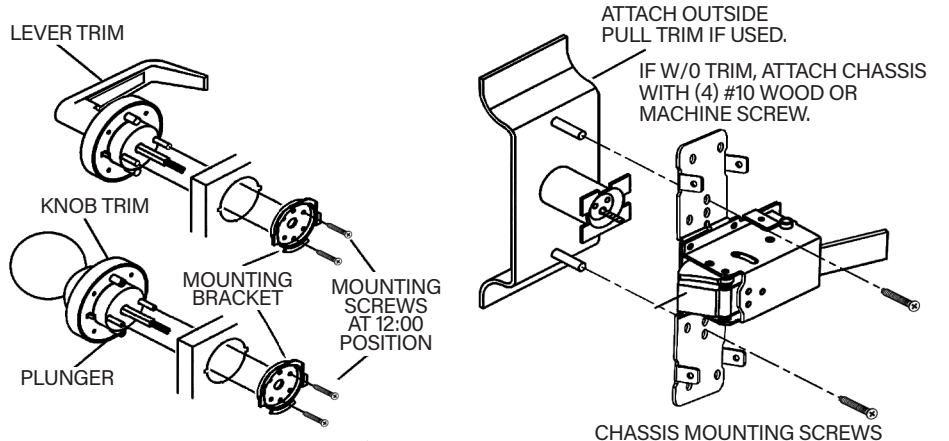


**Before Installation, Please Check:**

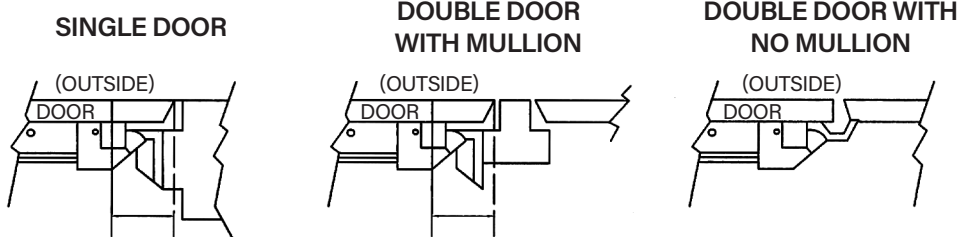
1. If Door is Fitted And Properly Hung.
2. Size Of Exit Device, Function And Design
  - 36" Doors, Can Be Cut To Fit Doors Down To 30" Wide.
  - 48" Doors, Can Be Cut To Fit Doors Down To 36" Wide.
  - Hand Of Device Against Application.



**2.3 Install Lever, Knob, or Pull Trim**



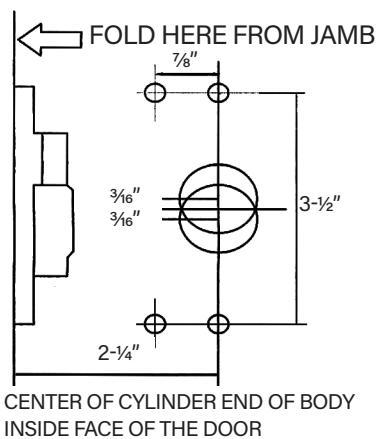
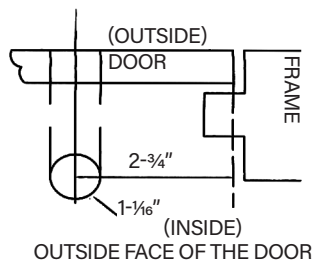
**1. Type of Installation**



**2. Apply Hardware**

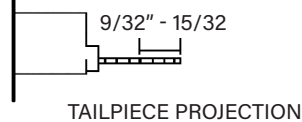
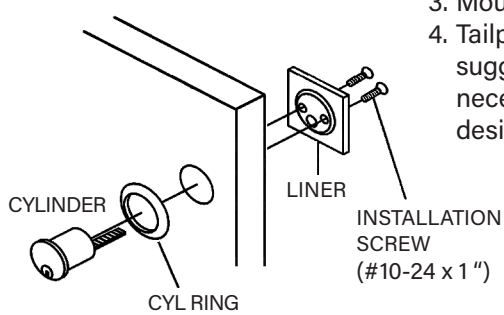
**2.1 Drill Holes**

Mark door face and drill holes in accordance with the diameters suggested. See attached template.



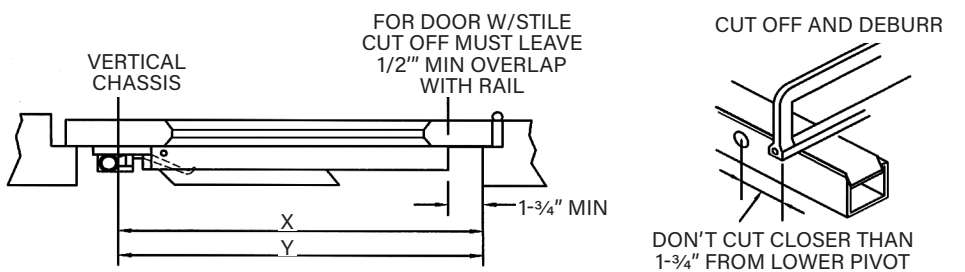
**2.2 Install Cylinder**

1. Insert the cylinder through Cyl Ring and hole in the door.
2. Keep the tail piece horizontal.
3. Mount liner on inside of door and
4. Tailpiece projection over inside of Door is suggested in the range 9/32" - 15/32. If necessary, use a pliers to bend and cut to desired length.

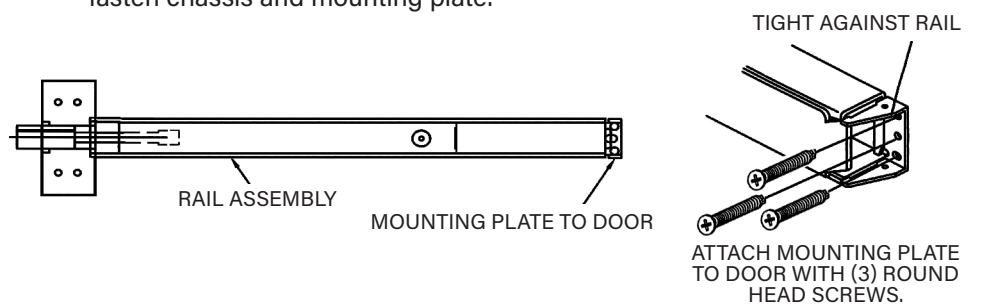


**3. Apply Rail Assembly**

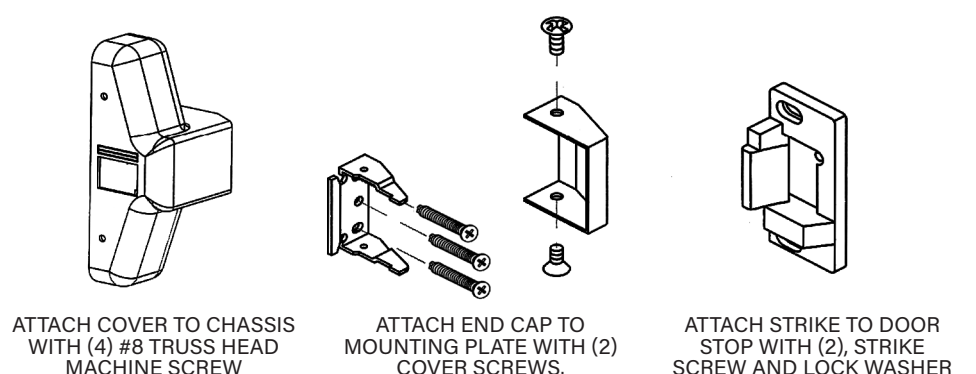
1. Check the size of device, if cutting to length is required.
2. Determine cut off length "x" by subtracting 1-3/4" From "y". Mark cut off point on mounting rail.



3. Depress arm into rail opening and slide rail onto chassis. Level rail and fasten chassis and mounting plate.



**4. Apply Covers and Strike**





**READ AND FOLLOW INSTRUCTIONS CAREFULLY.**  
Incorrect installation or adjustment could cause damage or injury.

