

Installation Instructions

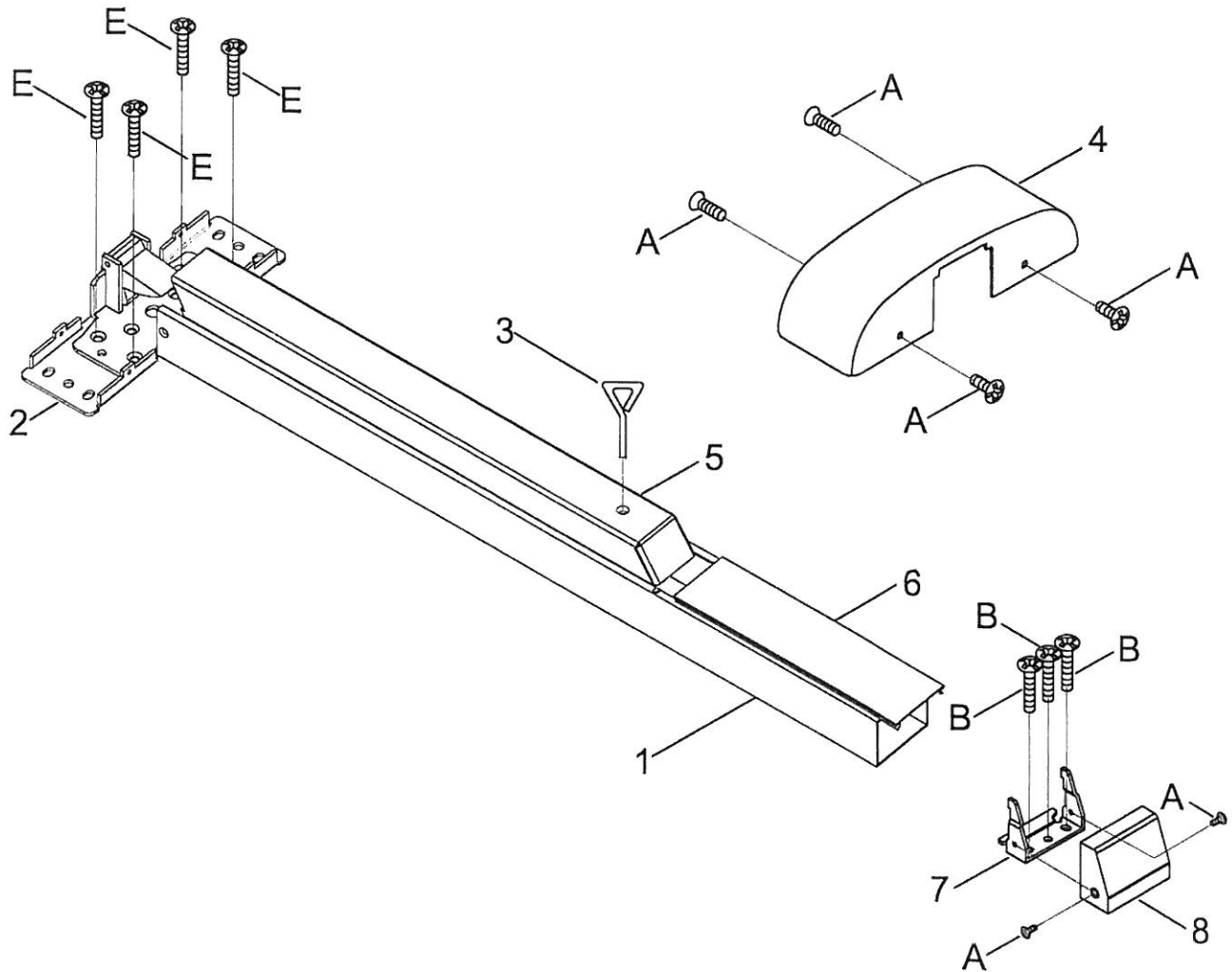
7300 Series Rim Device

※ The screws (from item B to E), attach both machine & tapping screws for install selection in the accessory package.

How to determine hand of door

Right - Hand Reverse Bevel (RHR)

Left- Hand Reverse Bevel (LHR)



PARTS LIST

ITEM	DESCRIPTION	Q'ty	Material
1	MOUNTING RAIL	1	Steel
2	CHASSIS ASS'Y	1	Steel
3	ALLEN KEY	1	Steel
4	HEAD COVER	1	Steel/S304
5	PUSH RAIL	1	Steel/S304
6	SLIDING SHIM	1	Steel/S304
7	BRACKET	1	Steel
8	END CAP	1	Steel/S304
9	STRIKE	1	S304
A	SM4X8 FLAT HEAD SCREWS	6	S304
B	10#X3/4" ROUND HEAD SCREWS	3	Steel
C	10#X3/4" FLAT HEAD SCREWS	1	Steel
D	10#X5/8" ROUND HEAD SCREWS	2	Steel
E	10#X3/4" FLAT HEAD SCREWS	4	Steel

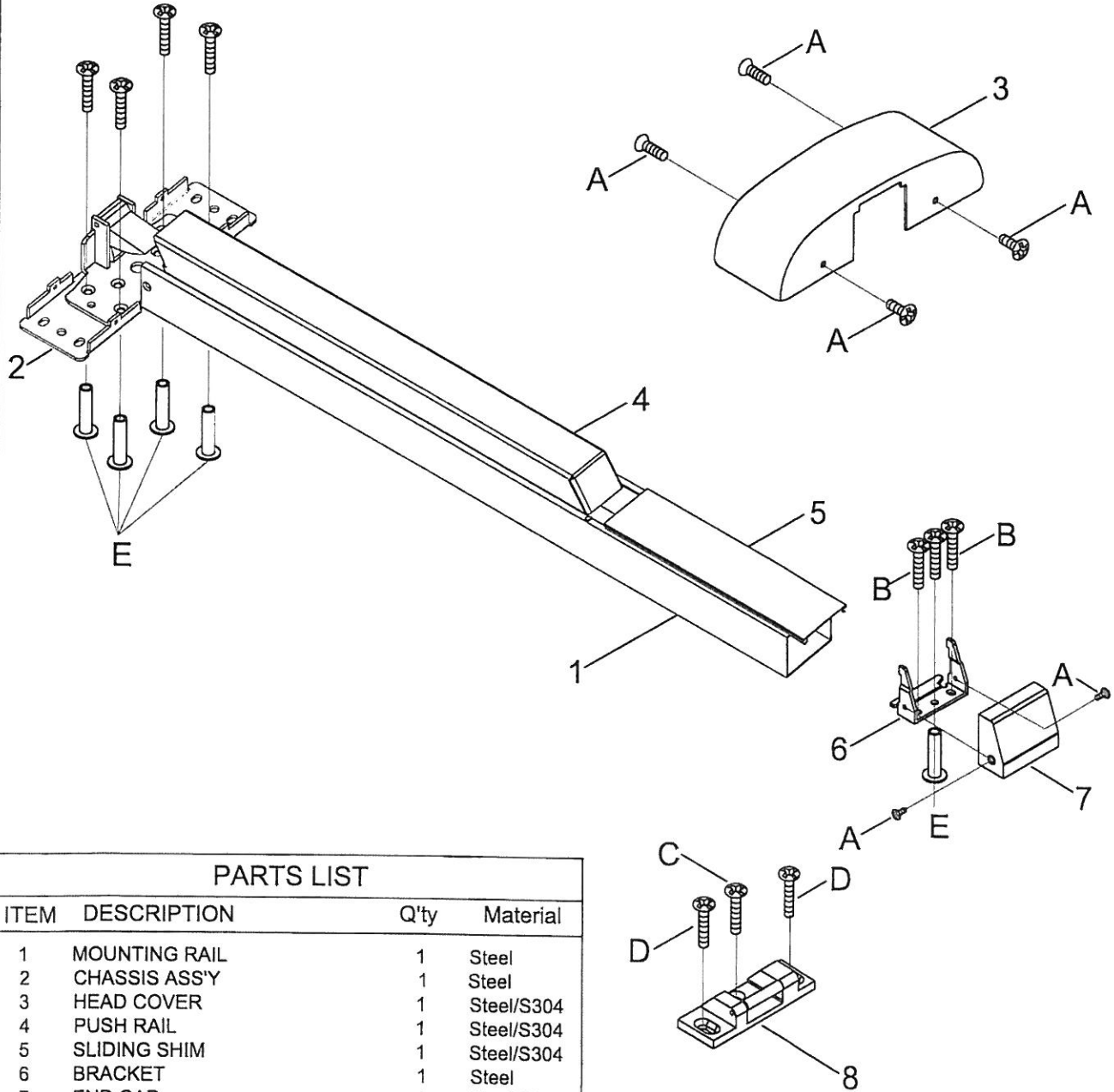
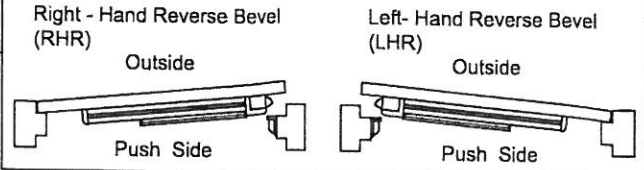
1

Installation Instructions

F7300 Series Rim Device

※ The screws (from item B to D), attach both machine & tapping screws for install selection in the accessory package.

How to determine hand of door



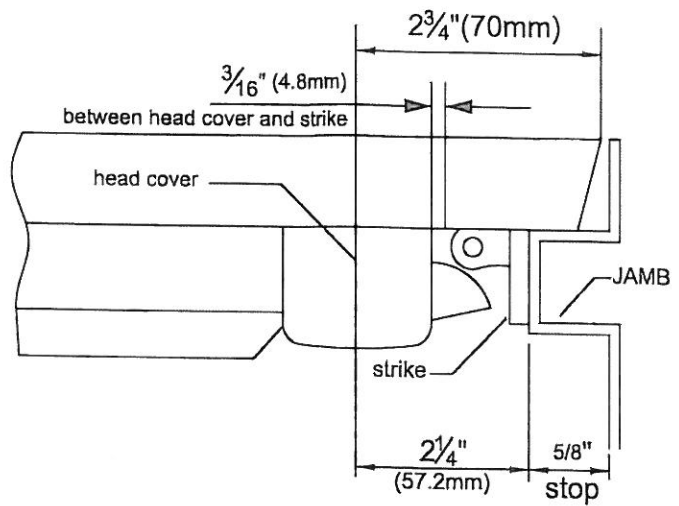
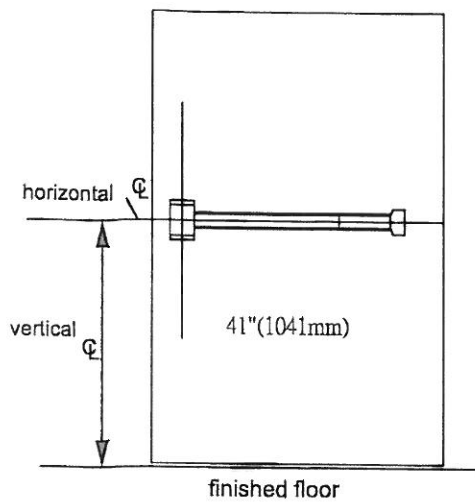
PARTS LIST

ITEM	DESCRIPTION	Q'ty	Material
1	MOUNTING RAIL	1	Steel
2	CHASSIS ASS'Y	1	Steel
3	HEAD COVER	1	Steel/S304
4	PUSH RAIL	1	Steel/S304
5	SLIDING SHIM	1	Steel/S304
6	BRACKET	1	Steel
7	END CAP	1	Steel/S304
8	STRIKE	1	S304
A	SM4X8 FLAT HEAD SCREWS	6	S304
B	10#X $\frac{3}{4}$ " ROUND HEAD SCREWS	2	Steel
C	10#X $\frac{3}{4}$ " FLAT HEAD SCREWS	1	Steel
D	10#X $\frac{5}{8}$ " ROUND HEAD SCREWS	2	Steel
E	SEX BOLT	5	Steel

7300 & 7300 Series Rim Device

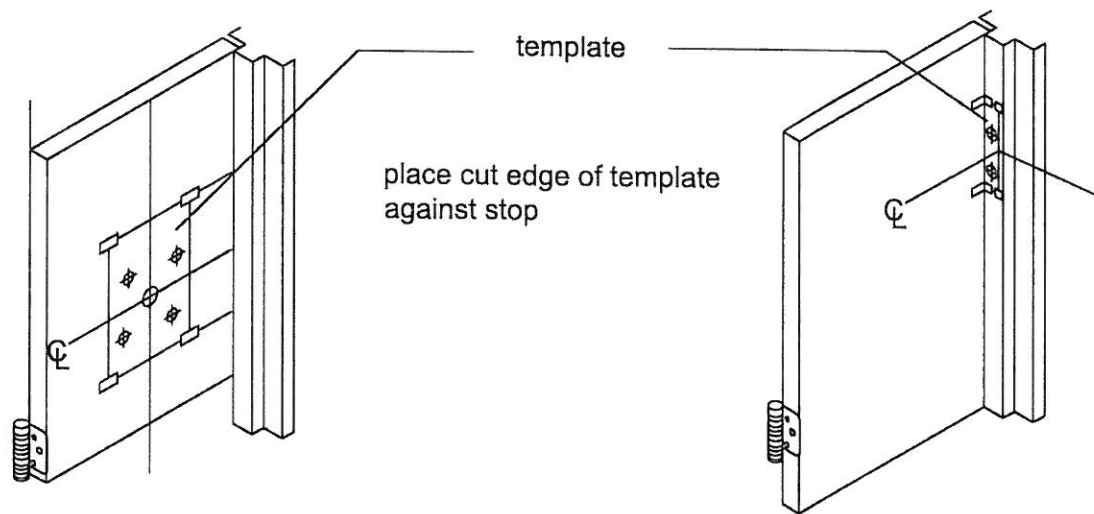
STEP 1 MARK CENTER LINES

If necessary, add strike shim kit under strike for $\frac{3}{16}$ " (4.8mm) as dimension shown



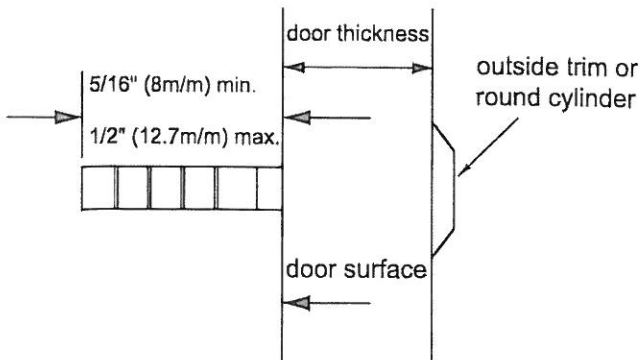
STEP 2 PREPARE INSTALLATION:

※ RHR shown
(LHR opposite)



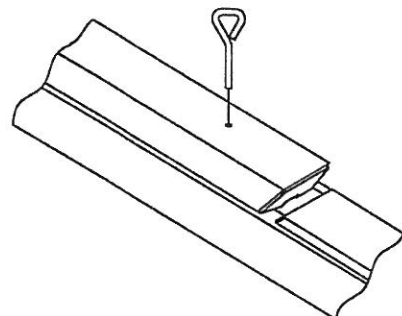
NOTICE 1 : TAILPIECE LENGTH

Keep tailpiece $\frac{5}{16}$ "~ $\frac{1}{2}$ " (8~12.7m/m) projected.



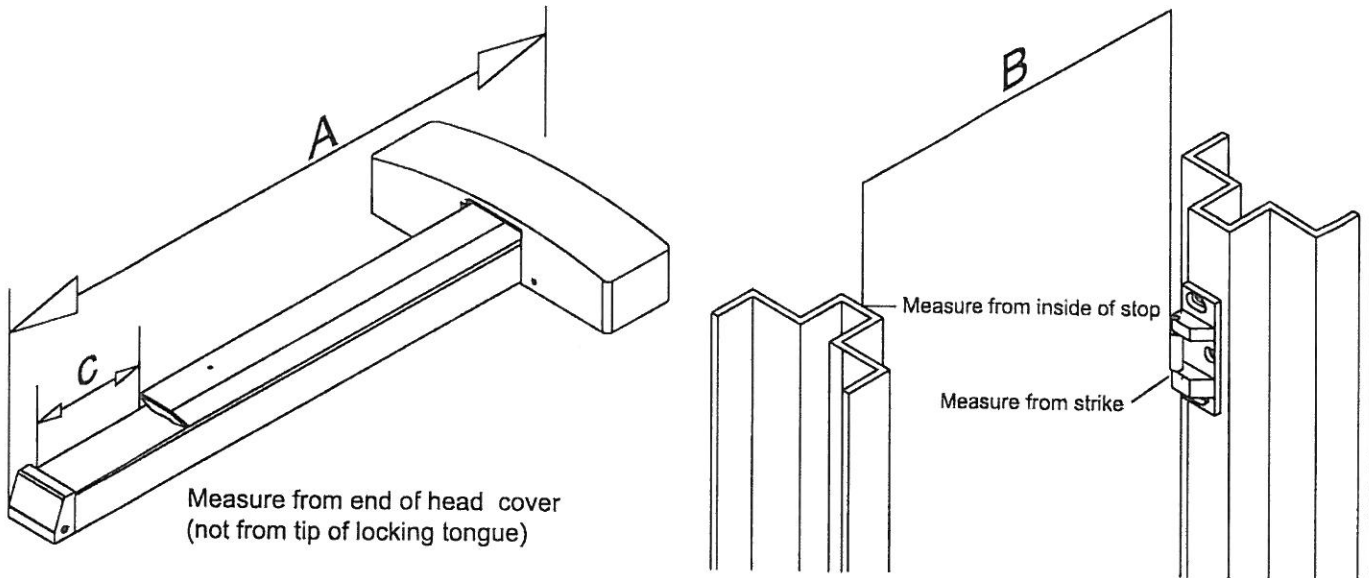
NOTICE 2 : DOGGING (FOR NON-FIRE RATED)

To press down the push rail, turn the hex allen key clockwise or counterclockwise. The device will change the function to "Passage".

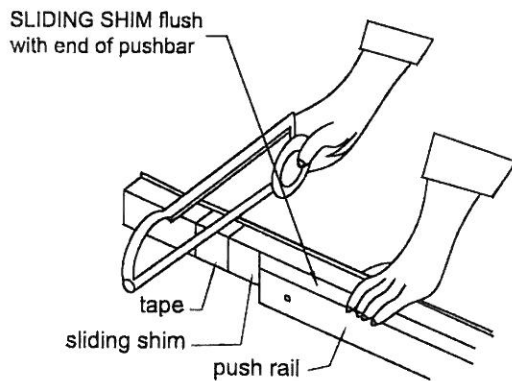


STEP 3 CUT DEVICE IF NECESSARY

3.1 Device length A must be at least 1½" (38mm) shorter than B



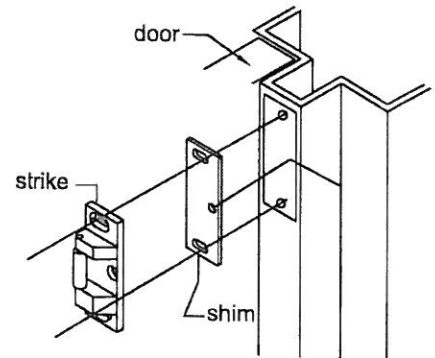
3.2 If necessary cut device so A is at least 1½" (38mm) shorter than B.



NOTE: the minimum length of the sliding shim must be 1"(25.4mm) or longer than dimension "c" on the above illustration.

3.3 Standard Door Stop is 5/8"(15.9mm). Install 1/8"(3mm) thick shim if necessary

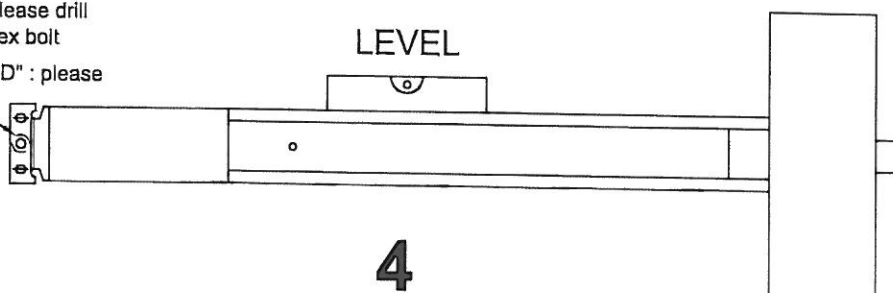
- (1) 1/8"(3mm) shim for prepared doors with 1/2" (12.7mm) stop.
- (2) Shim always furnished as standard part of package, which is mounted beneath strike.



STEP 4 : MOUNTING DEVICE

1. Take off head cover and then put device horizontally at the door. Fix screws (B) on chassis but DO NOT tighten them at this step.
2. Install bracket. Be sure to remain device being horizontal and then tighten all screws.
3. Install end cap & head cover.

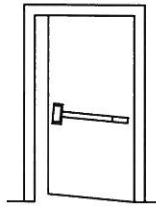
- ※ for "FIRE RATED" : please drill Ø3/8"(9.6mm) hole for sex bolt
- ※ for "NON-FIRE RATED" : please use screw C directly



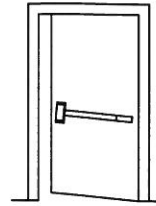
4

TEMPLATE FOR 7100 / F7100 RIM DEVICE

(1:1)



LHR



LHR

FOLD TOWARD YOU ON THIS LINE AND PLACE THIS EDGE AGAINST FACE OF STOP

IF CYLINDER ONLY IS USED. DRILL 1 5/16" (33mm) DIA. HOLE FROM INSIDE OF DOOR.

FOR SEX BOLT DRILL 3/8"(9.6mm) HOLE OUTSIDE

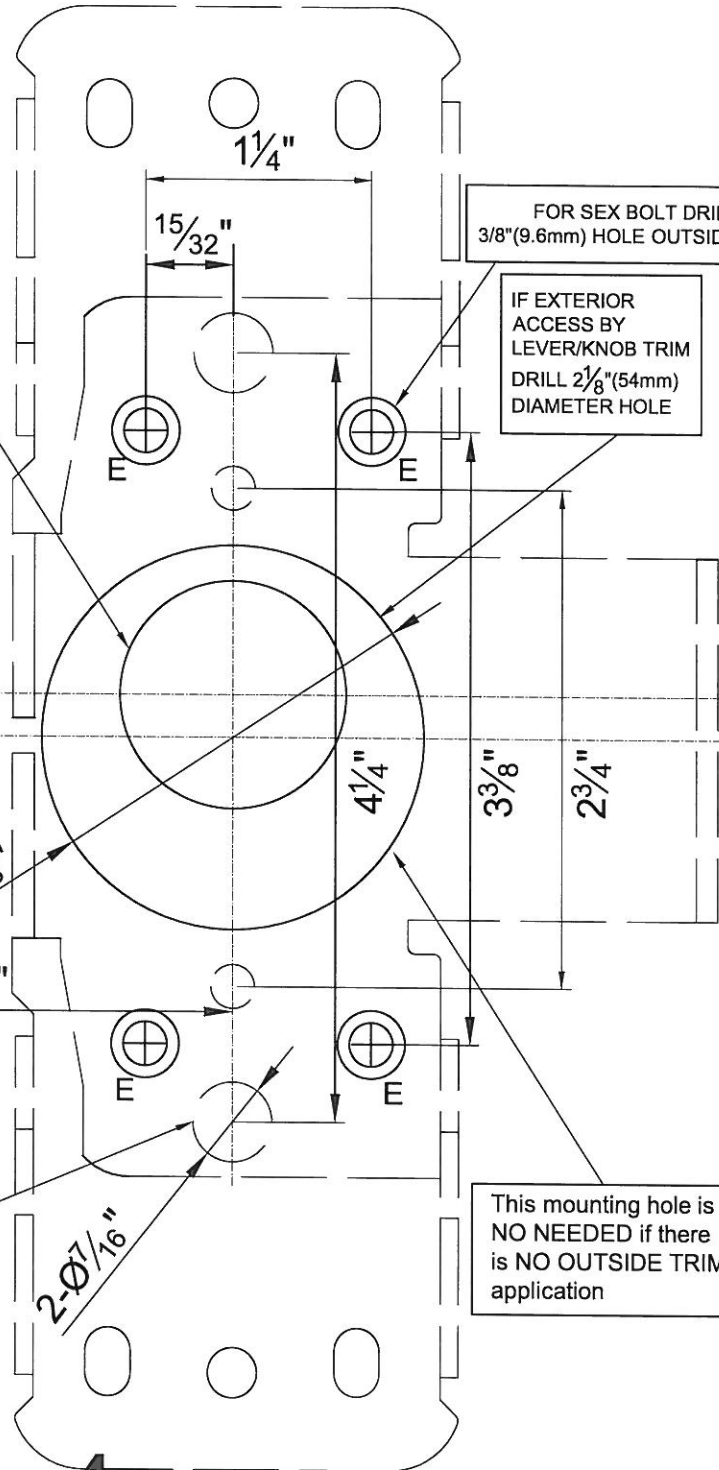
IF EXTERIOR ACCESS BY LEVER/KNOB TRIM DRILL 2 1/8"(54mm) DIAMETER HOLE

LINE UP WITH 5/8" MARKED ON DOOR

STRIKE FOR RIM DEVICE ONLY

These special two labelled holes are designed for installation of specified outside trim, please DO NOT drill the holes on door if the outside trim is not needed to be fixed by them.

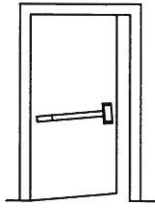
This mounting hole is NO NEEDED if there is NO OUTSIDE TRIM application



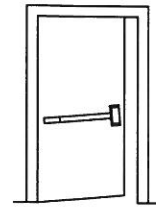
4

TEMPLATE FOR 7100 / F7100 RIM DEVICE

(1:1)



RHR



RHR

