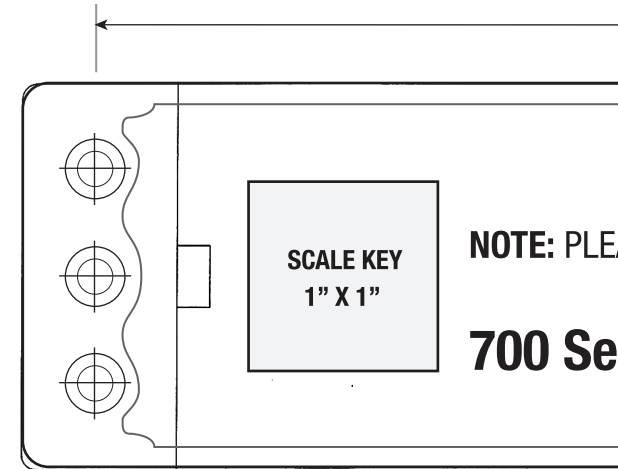
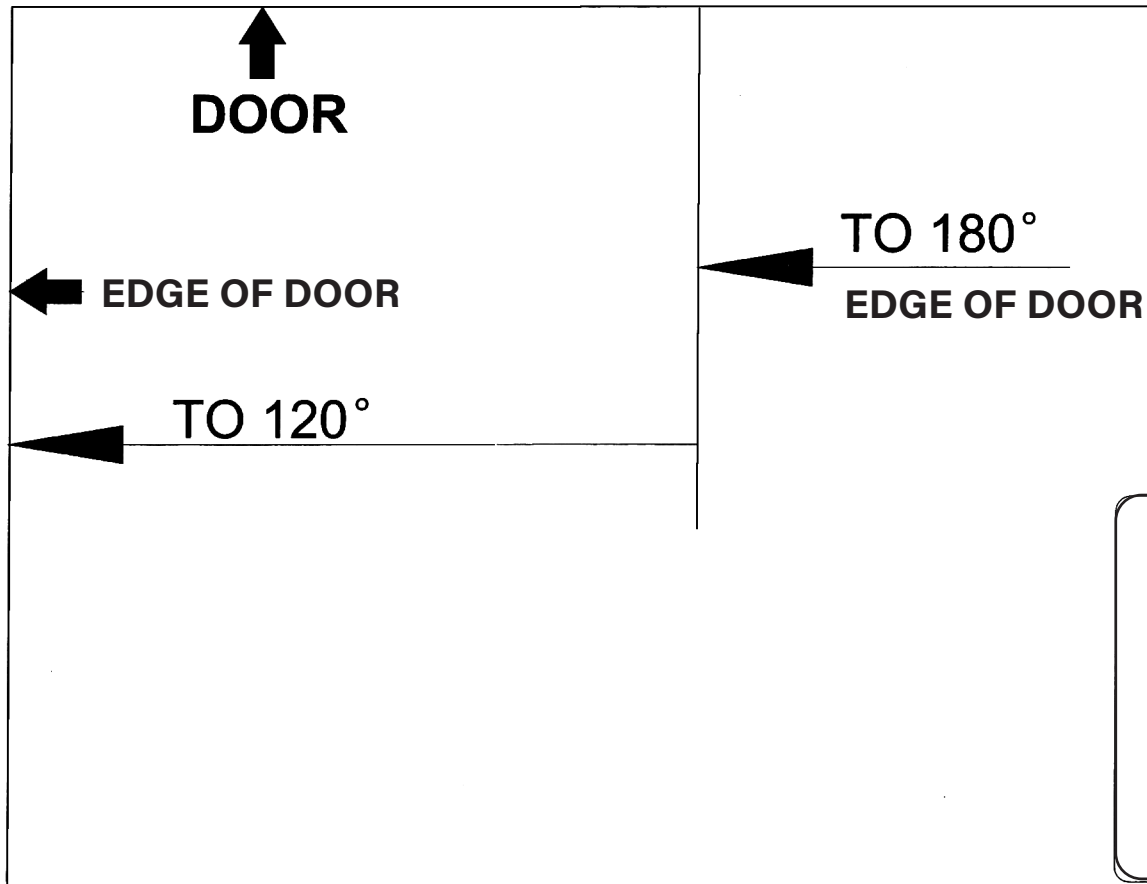


PRINT TEMPLATE AT 100% ON 8 1/2" X 11" - LANDSCAPE

PARALLEL ARM TEMPLATE **B**

UPPER FRAME



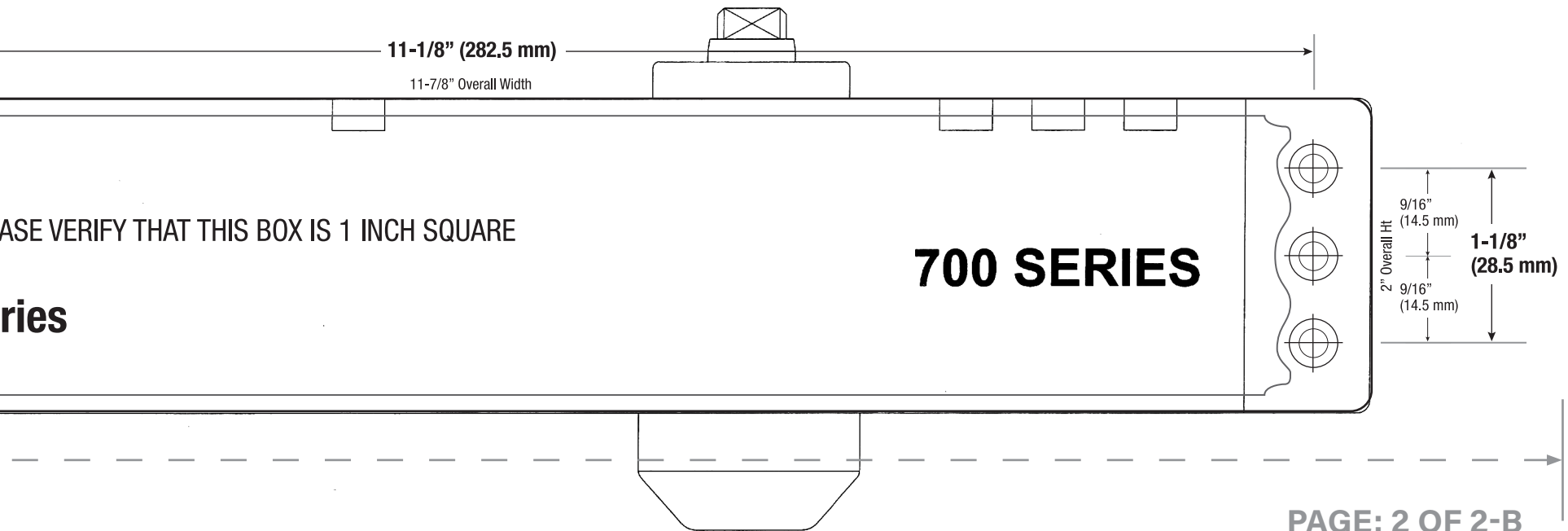
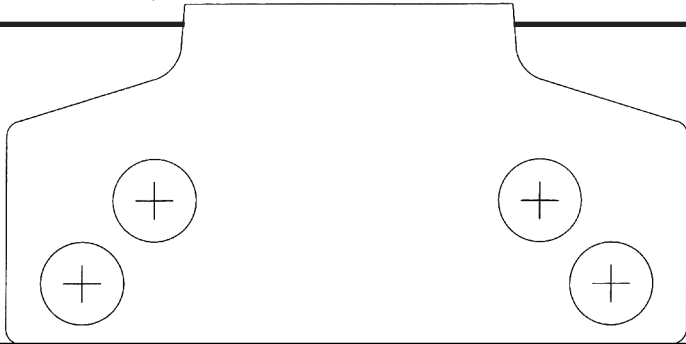
20"

VERIFY PRINT SCALE

**PARALLEL ARM TEMPLATE <sup>ⓑ</sup>**  
**RIGHT HAND DOOR - PULL SIDE**

**FOR RIGHT HAND DOOR**  
**[FOR LEFT HAND DOOR - FLIP TEMPLATE]**

**PRINT TEMPLATE AT 100% ON 8 1/2" X 11" - LANDSCAPE**



PLEASE VERIFY THAT THIS BOX IS 1 INCH SQUARE

ries

**PARALLEL ARM TEMPLATE <sup>ⓑ</sup>**